



## VLS-46

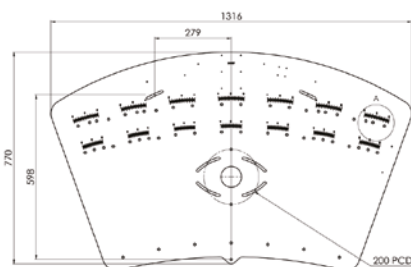
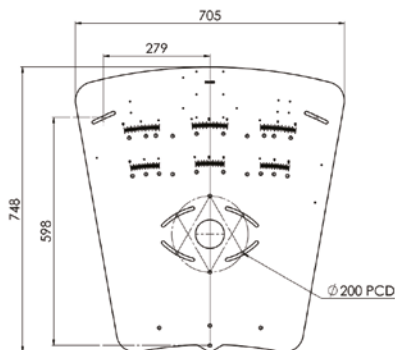
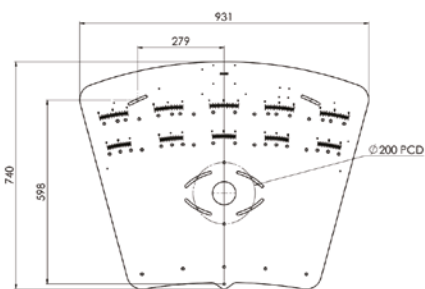
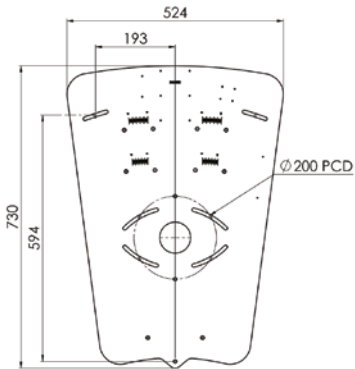
**Adjustable LED sector light**  
**15 -19 NM by night**  
**1.6 - 3.0 NM by day**

The VLS-46 is ideal for harbours with narrow or difficult approaches. The modular design allows up to seven projectors to be placed side by side. This can be used to create unique sector angles, flash patterns and intensities.

The VLS-46 has been designed to take advantage of the latest LED technology. The key features include:

- **Peak intensity up to 14,800cd**
- **Large vertical divergence for visibility by all types of vessels**
- **Only one tower is required, compared with range lights. This reduces the installation and maintenance cost by half**
- **Each projector can be individually adjusted to the width required for the application, within the limits defined in this brochure and product manual**
- **Energy-efficient LED technology is ideal for solar-powered sites**
- **Maintenance free design (no moving parts) will save money and time**
- **Lightweight marine-grade aluminium construction makes the unit light and easy to handle**





## Optical Performance

Maximum peak intensity				
5°	9000cd	8300cd	14800cd	12300cd
10°	2300cd	2140cd	3480cd	3030cd

## Optical specification

<b>Light source</b>	High Power Light Emitting Diode (LED)
<b>Horizontal divergence</b>	5°, adjustable from 0.5 – 5° (linear adjustment) 10°, adjustable from 1.0° (linear adjustment)
<b>Vertical divergence</b>	±1.8° @ 50% intensity & ±1.9° @ 10% intensity ±3.6° @ 50% intensity & ±3.7° @ 10% intensity
<b>Temperature control</b>	LEDs monitored for constant intensity control and over temp protection

## Main Technical Specification

<b>Nominal Range</b>	5 degrees, up to 15 NM 10 degrees, up to 12 NM
<b>Lens</b>	Acrylic and glass
<b>Base</b>	Marine grade aluminium
<b>Body</b>	Marine grade aluminium and injection moulded UV stable plastic
<b>Designed service life</b>	10 years
<b>Weight</b>	2.4 - 19.1 kg
<b>Temperature range</b>	-30° – +50°C
<b>Voltage</b>	10-30 VDC
<b>Solar charger</b>	N/A
<b>Degree of protection</b>	IP 67
<b>Cable length</b>	2 m / 6 m

## Order Overview VLS-46

### Product code

Code	Note
VLS-46-D-Cc(-Cc)(-Cc)(-Cc)(-GS)-BPY	
D	Divergence
C	Color (R, G, W, Y)
c	Quantity of projectors in that colour (1-7)
BP	Base plate ((BP2, BP3, BP5, BP7)

### Option matrix

GS	Internal GPS sync module as factory option
----	--