

VLL-43

13NM to 22 NM @ 0.74T

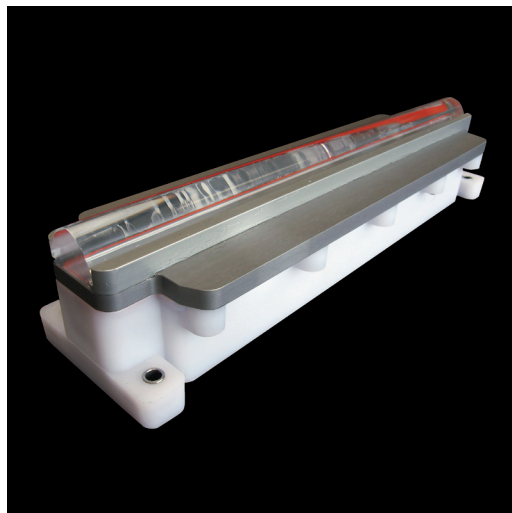
The VLL-43 Linear Lead Light is a powerful uni-directional lantern ideal for marking short ranges and obstacles. The optical system utilises an acrylic lens to capture and project the light from the high-powered LEDs. The LEDs are precisely graded and placed to produce a light beam with minimum variation in intensity. The lead light is available in 5 colours, red, green, white, yellow, and blue.

Any number of these lights can be used to achieve the desired range. Each unit has its own control board and can be operated individually.

Programming of the VLL-43 could not be easier. Once set the VLL-43 provides automatic Schmidt-Clausen correction for intensity and maintain the effective range of the light. The peak output intensity cannot exceed the maximum output of the light.

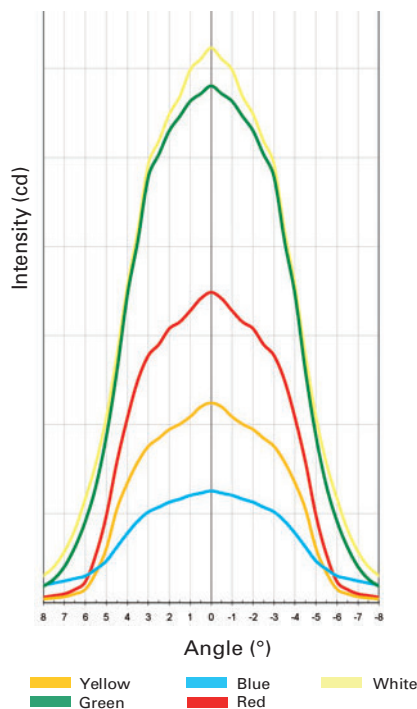
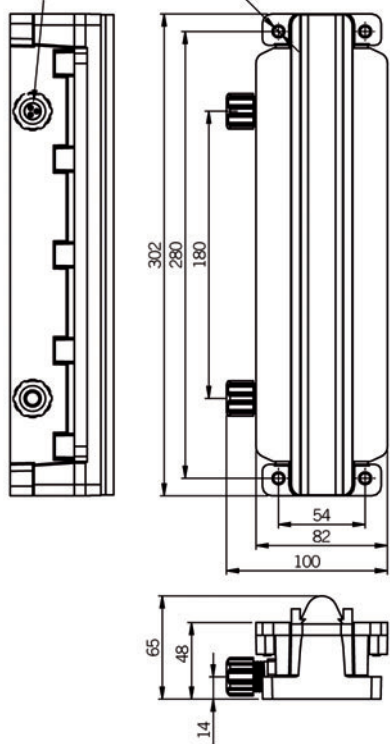
Other programmable features include:

- **Separate intensity settings for day**
- **Nine night/day transition settings.**
- **Up to 246 standard flash characters.**
- **One programmable custom character**
- **Wired synchronisation with options of master/slave**
- **Synch delay from 0.1 to 9.9 seconds**
- **Battery low voltage cut off**
- **Optional PIN code for programming.**
- **External GPS synchronisation using the VSU-29 unit**
- **Monitoring using the Mini VegaWeb unit**



Technical Specification VLL-43

REPLACED WITH 3 PIN SOCKET FOR PLUG AS SOCKET OPTION. 2 CABLE GLANDS SUIT Ø6 TO Ø10 CABLE. 4 MOUNTING HOLES Ø6



Optical Performance

Maximum intensity	1740cd	2900cd	1120cd	3120cd	630cd
Vertical divergence	8.5° @ 50%				
Schmidt-Clausen Correction	Automatic correction up to the maximum peak intensity available				
Day/Night Transition	9 levels + IALA recommendation				
Colours	Red, White, Green, Yellow, Blue				
Flash character	Hard wire flash sync with delay capability from 0.1s to 0.9s				

Material

Lens	Optical grade acrylic
Sealing	O ring
Housing	Anodised marine grade aluminium & high impact ASA plastic
Mounting	4 holes 6mm diameter
Service life	10 years

Environmental

Degree of Protection	IP68
Temperature	-30°C to 60°C
Salt	Continuous exposure to salt water and spray
Wind	140kt
Cooling	Convection only
Sealing	Fully sealed

Electrical

Typical current @ max peak	900mA	760mA	860mA	700mA	640mA
Battery voltage	12VDC				
Operating voltage	9 - 18VDC				
Day Current	0.5mA				

Order Overview VLL-43

Product code

Code	Note
VLL-43-ccc	
C	Colour (G, R, W, Y, B)