



LO 200M

Medium Intensity LED Range Light

The LO 200M signal is designed for applications requiring medium and long range directional light, such as range lights and port entry signals.

- Equipped with a high intensity power LED and especially designed optics
- Robust aluminium IP 66 housing
- Visual range up to 14NM (Tc = 0,74)
- Standard IALA colours red, green, white and yellow
- Extremely low power consumption, suitable for solar and battery operation
- Vertical divergence 8° @ 50% of peak intensity
- Integrated flasher with 16 A solar panel charger
- Adjustable intensity and range
- Programmable with Sabik standard IR programming devices
- Optional integrated GPS synchronization
- Optional integrated GSM remote monitoring
- Equipped with Bluetooth programming



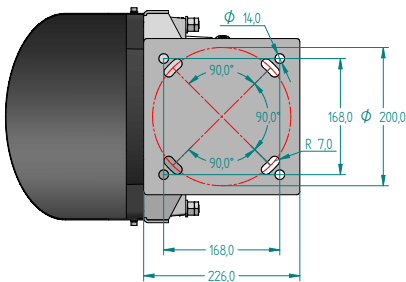
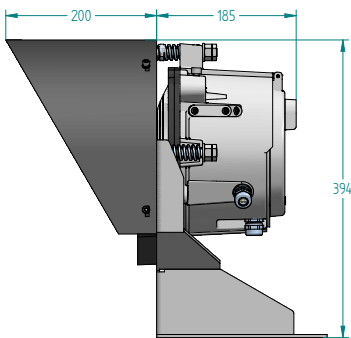
Optical performance

Maximum fixed intensity

| | | | | |
|---------------|---------|--------|--------|---------|
| At full power | 7000 cd | 7000cd | 7000cd | 13000cd |
|---------------|---------|--------|--------|---------|

Main Technical Specification

| | |
|---------------------------------|------------------------------------|
| Lens visual/Mechanical diameter | 203 mm (8") |
| Lens material | UV stabilized polycarbonate |
| Light source | Light Emitting Diode (LED) |
| Lens horizontal divergence | 6° @ 50 % (± 1°) of peak intensity |
| Unit lifetime | Up to 10 years |
| Weight | 11,7 kg |
| Temperature range | -40°...+60°C |
| Supply Voltage | 9 – 32 VDC |
| Power consumption | 4W at full intensity |
| Degree of protection | IP 67 |
| Cable length | 2 m / 6 m |



Order Overview LO 200M

Product codes

| Product | Colour |
|-----------|--------|
| LO-200-MW | white |
| LO-200-MR | red |
| LO-200-MG | green |
| LO-200-MY | yellow |

Product code example: LO-200-MR-4

- **LO-200-MR** is Sabik code for LO 200M in red
- **4** is a selection of option 4

Option matrix

| | |
|-------------------------------------|-------------------------------------------------------------|
| OPT 4: GPS sync | Integrated GPS sync including GPS antenna |
| OPT 9: LightGuard GSM + GPS | Integrated GSM based monitoring including GSM/ GPS antennas |
| OPT 10: LightGuard GSM | Integrated GSM based monitoring including GSM antenna |
| OPT 11: Control card | Control card for secondary battery |
| OPT 12: Aux card with I/O | Aux card including I/O ports |
| OPT 13: Aux card with RS485 and I/O | Aux card including RS 485 and I/O port |