

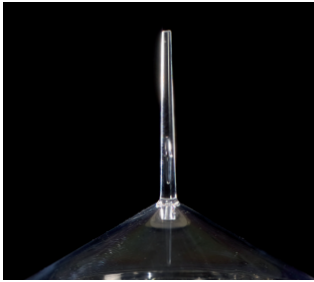
LED 110

Marine LED lantern for buoys and small beacons

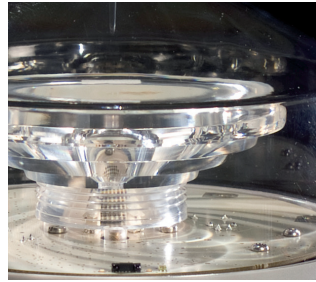
LED 110 is a maintenance free short range LED lantern. Using the latest in high power LED technology, Sabik's intelligent electronics and our especially designed efficient optics, we have been able to achieve an excellent performance for the lantern. LED 110 is made from polycarbonate for durability and low weight.

- Range 4 NM at $T_c = 0,74$
(5 NM at $T_c = 0,85$)
- Standard IALA colours Red, Green, White and Yellow
- Produced of durable polycarbonate plastic
- Integrated flasher with day light switch and a 2 ampere solar panel charger
- Internal calendar; light can be switched off for winter
- Adjustable intensity and range
- Vertical divergence $8^\circ @ 50\% (\pm 1^\circ)$ of peak intensity
- Programming with all Sabik wireless programmers
- Integrated event log (Black box function) for 365 days
- Optionally integrated GPS synchronization
- Optionally integrated GSM remote monitoring





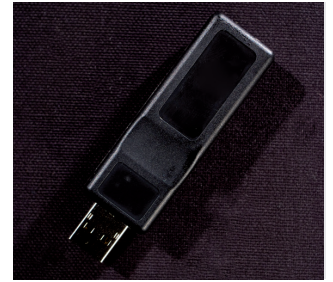
Lens
Bird deterrent top design.



Optical lens
New efficient omnidirectional lens.



PDA Programmer
Wireless two-way communication using a Windows based PDA programmer.



Programming with PC
Using Sabik USB interface.



Sabik Easy Programmer
User friendly and compact wireless two-way programmer.



Cable entry
From side or bottom of the lantern.

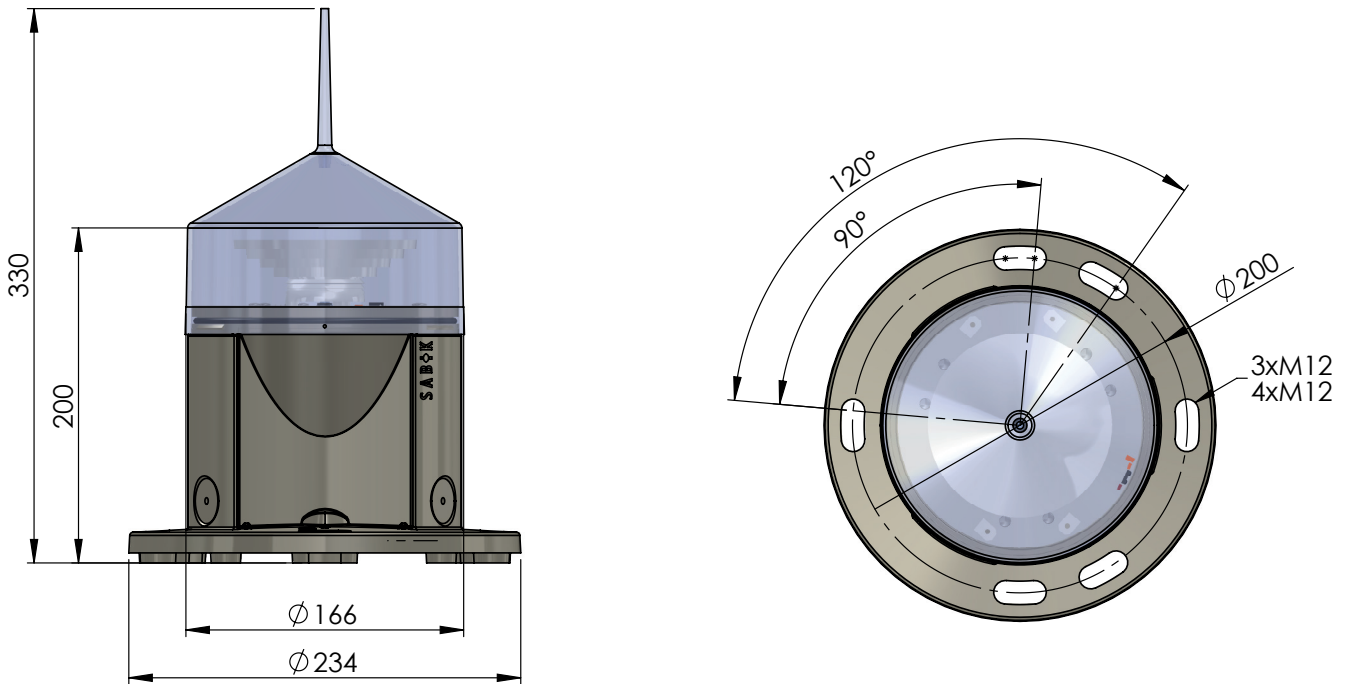


Installation
The bottom plate of the LED110 supports installation on structure using 3 or 4 x M12 on a 200 mm diameter or 3 x M8 on a 150 mm diameter.



PTFE breathing
Vent for pressure release in the bottom of the lantern.

Technical Specification LED 110



Optical performance

Maximum fixed intensity

LED 110	40 cd	40 cd	50 cd	45 cd
---------	-------	-------	-------	-------

Main Technical Specification

Lens visual/Mechanical diameter	166 mm
Lens material	UV stabilized Polycarbonate
Body material	UV stabilized Polycarbonate
Light source	High Power Light Emitting Diode (LED)
Vertical divergence	8° @ 50% (±1°) of peak intensity
Unit lifetime	Up to 10 years
Weight	2 kg
Temperature range	-40°...+60°C
Degree of protection	IP 67
Supply Voltage	9 – 30 VDC
Power consumption	Max 1,3 watt

Order Overview LED 110

Option matrix

OPT 9S: LightGuard GSM + GPS	Integrated GSM based monitoring including GSM/GPS antennas
OPT 4S: GPS sync	Integrated GPS sync including GPS antenna
OPT 1S: Optical Feedback System	Integrated LED performance measurement
Shock & Tilt Sensor	Integrated 3-axis G sensor for tilt and shock sensing

Product codes

LED 110 wide lens	Colour
LED 110 WW	white
LED 110 WR	red
LED 110 WG	green
LED 110 WY	yellow

Product code example: LED 110WROPT4S

- LED 110WR is Sabik code for LED 110 with wide lens in red
- with a selection of option 4 GPS synchronization