



# 7 NM MARINE BEACON

## VLB-36

MEDIUM RANGE LANTERN 4-7 NM

7° or 10° Vertical Divergence  
Stand Alone & Self Contained

Vega's range of 7 nautical mile marine beacons use highly efficient optics and electronics providing energy efficiency as high as 90 candela per Watt at 5 NM (depending on vertical divergence)

This level of efficiency significantly reduces the solar panel and battery requirement in standalone applications.



# OUTSTANDING FUNCTIONALITY AND FEATURES

The 7 Nautical Marine Beacon (VLB-36) comes in 2 different vertical divergences to cover fixed and floating applications:

- VLB-36 10 degree (ideal for buoys)
- VLB-36 7 degree (for land/pole use)

It is also available as a stand-alone or a self-contained with 7.8W, 15W or 30 Watts solar power.

The available colours are red, green, white, yellow and blue.

The unique optical system utilises an acrylic lens to maximise the light capture from the LEDs. The LEDs are precisely graded and placed to produce a light beam with minimum variation in intensity. A switch mode regulator maintains the light output of the LEDs independent of input of voltage and temperature.

All VLB-36 beacons are tested in the Vega zero range light tunnel prior to shipment to ensure the light output meets the required specification.

## MONITORING

Programming is done using Vega IR programmer.

- VegaWeb monitoring system
- Optional alarm/monitor connection
- AIS type 1 or 3 with current sensor

## PROGRAMMING FEATURES (WITH VEGA IR REMOTE PROGRAMMER) INCLUDE

- Up to fifteen effective intensity settings for every tier/colour combination
- Automatic Schmidt Clausen intensity correction
- Colours meet the IALA chromaticity requirement
- Full IALA programmable flash characters
- Flash sync delay from 0 to 9.9 seconds
- Nine Lux levels to determine day/night transition
- Programmable low voltage cut-out threshold
- Optional internal GPS
- Optional security code for programming
- Optional internal GPS monitoring to VegaWeb

## MAXIMUM CANDELA (SINGLE TIER) INTENSITY

	7° Peak	7° Effective	10 ° Peak	10° Effective
Red	570	290	470	240
Green	320	240	220	150
White	520	290	300	161
Yellow	330	290	190	150
Blue	100	66	40	29



# SPECIFICATIONS

## OPTICAL SPECIFICATION

<b>Light Source</b>	High-Intensity LEDs
<b>Colours Available</b>	Red, Green, White, Yellow and Blue (Meet IALA requirements)
<b>Peak Intensity</b>	See page 2 chart
<b>Horizontal Divergence</b>	360°
<b>Flash Characters</b>	Fully programmable (including presets)
<b>Vertical Divergence</b>	7° @ 50% peak 10° @ 50% peak
<b>Temperature control</b>	LEDs monitored for excess temperature

## ENVIRONMENTAL

<b>Temperature</b>	-30° to 50° Celsius
<b>Intrusion Protection</b>	IP68
<b>Cooling</b>	Convection cooling heat sink
<b>Salt</b>	Continuous exposure to saltwater and spray
<b>Wind</b>	140KT
<b>Cooling</b>	Natural radiation only
<b>Ice</b>	22 kg/m2

## MATERIALS

<b>Lens</b>	Machined cast acrylic; UV-protected
<b>Base</b>	UV resistant ASA
<b>Bird Spikes</b>	Stainless steel
<b>Body</b>	Marine grade aluminium

## ELECTRICAL PERFORMANCE

<b>Voltage</b>	12 VDC (10-18 VDC)
<b>Battery Protection</b>	Programmable low voltage cutoff Reverse polarity protected
<b>Day/Night Transition</b>	Adjustable levels
<b>Active Off Current</b>	4 mA
<b>Standby Current</b>	0.5 mA
<b>Sync input/output</b>	Ground pulse 10ms wide at start of character

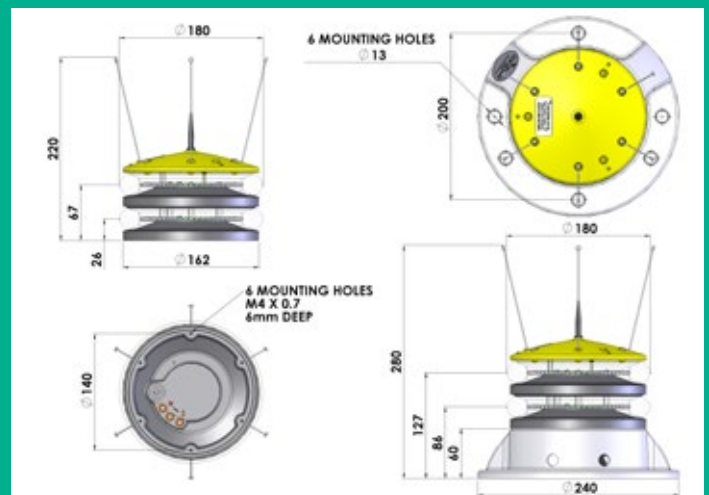
## SOLAR POWER SPECIFICATIONS

Model	Solar	Recommended Battery
Stand-alone	N/A	N/A
Small Solar	7.8W	12Ah 12V
Medium Solar	15W	12Ah 12V
Xtra Large Solar	30W	24Ah 12V

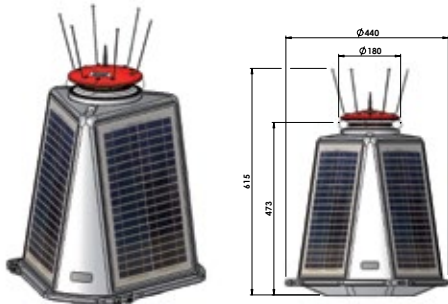
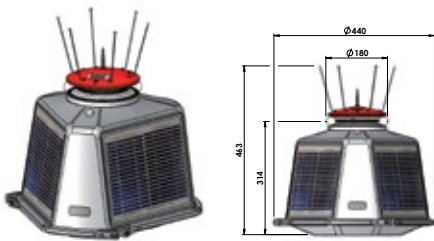
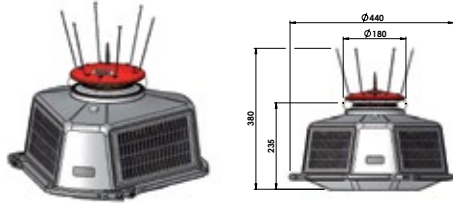
## VEGA 4.5NM WRECK LIGHT

The Vega 4.5 NM Wreck Light is part of the VLB-36 range and meets IALA recommendation 0-133 (December 2005) producing a range of up to 4.5 NM at 0.74T.

The VLB-36 Wreck Light is preprogrammed to Blue 1.0s + 0.5s + Yellow 1.0s + 0.5s and has currents which average at 102mA with a standby of 0.5mA.



# DIMENSIONS & WEIGHTS



# PARTS FOR ORDERING

## DESCRIPTION

VLB-36 LED Marine Beacon

## PRODUCT CODE FORMAT

**VLB-36-C-V-S**

**Where V is vertical divergence**

= 7° or 10°

**Where C is colour**

= Red, Green, White, Yellow or Blue

**Where S is size**

= SA for standalone

= SM for small (7.8 W)

= MD for medium (15 W)

= XL for extra large (30 W)

## OPTIONAL EXTRAS

GPS synchronization	<b>GS</b>
Extra Infrared Remote	<b>Remote -02</b>
Charge port/sync wire	<b>CP/SW</b>

Vega prides itself on a long history of leading edge optical innovation. To enquire about customised options please email the sales team at [sales@vega.co.nz](mailto:sales@vega.co.nz).

For other factory options check out our website, [www.vega.co.nz](http://www.vega.co.nz).



**Telephone:** +64 4 238 0200

**Email:** [sales@vega.co.nz](mailto:sales@vega.co.nz) [www.vega.co.nz](http://www.vega.co.nz)

21 Heriot Drive, Porirua 5022  
Wellington, New Zealand

Version 03.12