

HBL 110

Unique Hybrid LED lantern

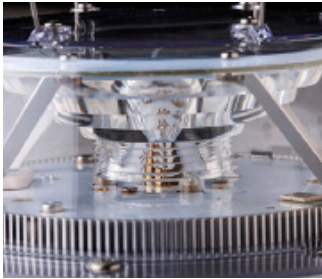
HBL 110 is a robust lantern with a outer polycarbonate cover. It is a low profile lantern to be used integrated into buoy applications.

HBL 110 has a unique hybrid system including a solar panel and an integrated rechargeable battery. During the dark winter months an Alkaline battery is used as a back-up. This hybrid solution saves also time and money when batteries can be changed more rarely and there is less need for maintenance visits.

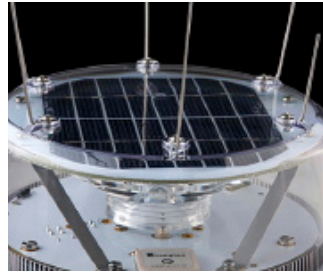
This robust lantern has very low power consumption and is equipped with GPS synchronization. LightGuard remote monitoring can be added as an option. Advanced bluetooth programming app also available for android and IOS mobile phones.

- Adjustable intensity and range
- Standard range: 4 NM at Tc = 0,74 (5 NM at Tc = 0,85)
- Integrated flasher with day and night switch
- Available in standard IALA colours
- Vertical divergence 8° @ 50% ($\pm 1^\circ$) of peak intensity
- GPS synchronization as standard
- Remote monitoring with LightGuard Monitor
- Programming with all Sabik programmers
- New: programmable up to 50 meters distance using Bluetooth technology

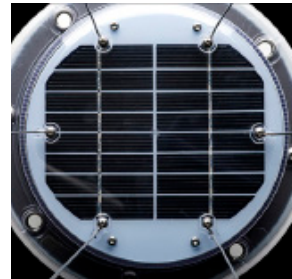




Lens
Sabik especially designed optical unit with outer polycarbonate cover.



Bird spikes
Stainless steel bird deterrents as standard. Easy to replace.



Solar panel
High efficient solar panel on the top of the lantern.



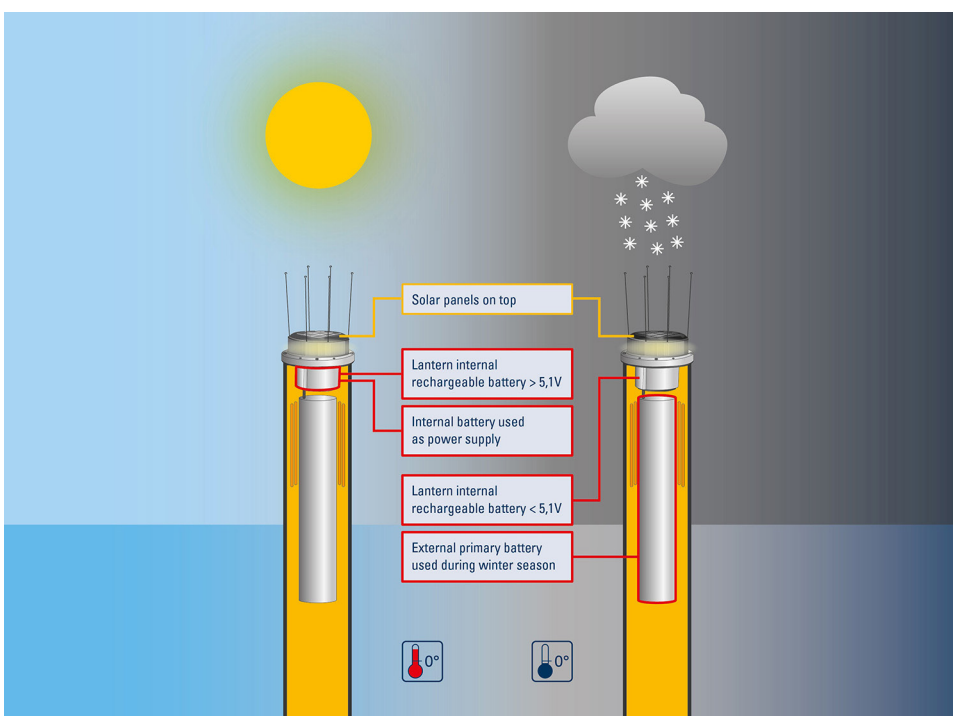
PTFE breathing
PTFE breathing vent for pressure release in the bottom of the lantern.



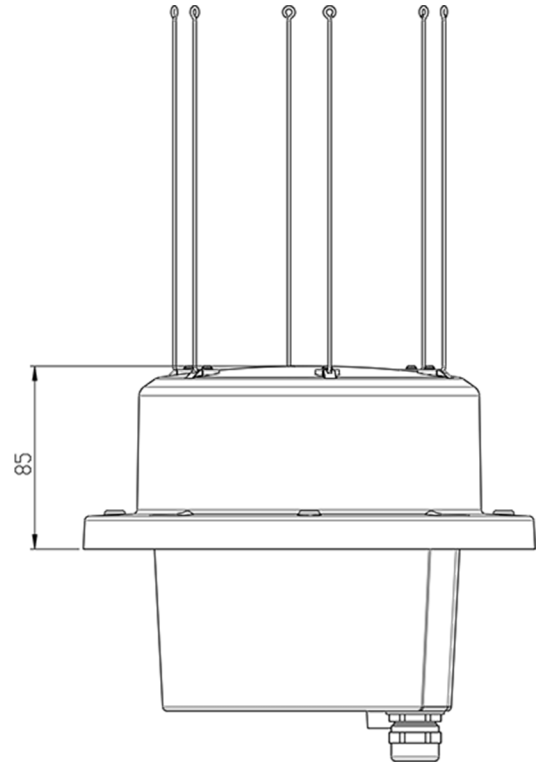
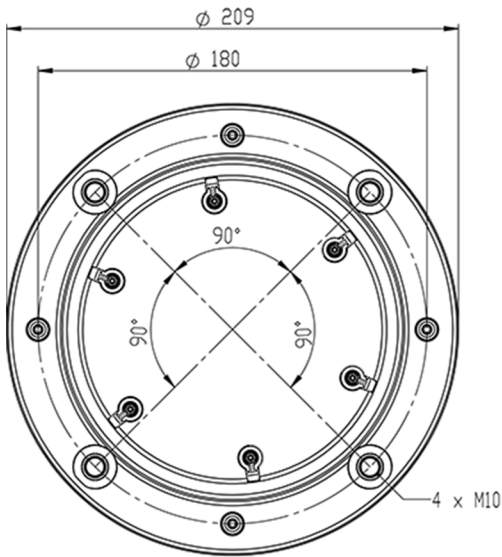
Programming
Lantern can be programmed and battery status monitored with the Sabik user friendly and compact Easy Programmer..



Innovative Bluetooth app
Lantern can be programmed and battery status checked up to 50 meters distance with standard android and IOS mobile phones.



Technical Specification HBL 110



Optical performance

Maximum fixed intensity

HBL 110	40 cd	40 cd	50 cd	45 cd
---------	-------	-------	-------	-------

Main Technical Specification

	up to 4 Nautical miles
Lens visual/Mechanical diameter	166mm
Lens material	UV stabilized Polycarbonate
Light source	High Power Light Emitting Diode (LED)
Vertical divergence	8° @ 50% (±1°) of peak intensity
Unit lifetime	Up to 10 years
Weight	2,8 kg
Controller	Sabik SMC flasher
Temperature range	-40°...+60°C
Degree of protection	IP 67
Battery Voltage NiMH	6,0VDC
Battery capacity NiMH	26 Ah
Solar power	1,5W

Order Overview HBL 110

Option matrix

LightGuard GSM + GPS OPT 9H	Integrated GSM based monitoring including GSM/GPS antennas
Optical Feedback System OPT 1H	Integrated LED performance measurement
Shock & Tilt Sensor	Integrated 3-axis G sensor for tilt and shock sensing
HBL 110 (GPS sync as a standard)	Colour
HBL 110W4	white
HBL 110R4	red
HBL 110G4	green
HBL 110Y4	yellow

Product code for Programmer

980332	Sabik Easy Programmer
	Bluetooth mobile app for android and IOS available

Order Overview VPL 110

A component lantern without
a solar panel and battery

VPL 110 (GPS sync as a standard)	Colour
VPL 110W4	white
VPL 110R4	red
VPL 110G4	green
VPL 110Y4	yellow